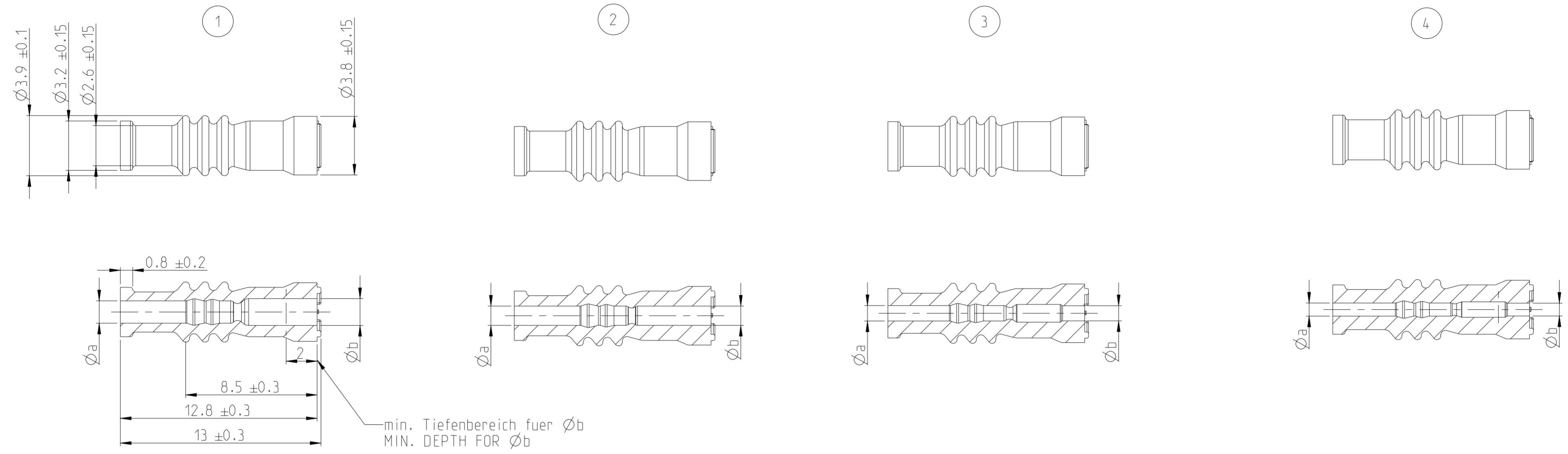


THIS DRAWING IS UNPUBLISHED
 VERTRÄULICHE UNVERÖFFENTLICHTE ZEICHNUNG
 RELEASED FOR PUBLICATION
 FREI FUER VERÖFFENTLICHUNG
 2016
 MATED WITH:
 PASSEND ZU:
 ALL RIGHTS RESERVED.
 ALLE RECHTE VORBEHALTEN.

PROJEKT NR.:		REVISIONS ÄNDERUNGEN			
P	LTR	DESCRIPTION BESCHREIBUNG	DATE	DWN	APVD
A1		NEW DRAWING	15FEB2016	RD	RW
A2		VARIANTS ADDED	08MAY2019	AW	DM
A3		SPEC. No. ADDED	15OCT2021	AW	RW



OVERVIEW CONTACT TO SINGLE WIRE SEAL
 Zuordnung Kontakt zu Einzeldichtung

	WIRE / LEITER				HPF 1.2	
	Ø [MM]	SIZE [MM²]	TYPE	PLATING	CONTACT TE KONTAKT TE	WIRE SEAL TE LEITERDICHTUNG TE
4	1.2-1.4	0.35	FLR	AU	2296545-2	2297816-1 (WHITE)
4	1.2-1.4	0.35	FLR	AG+	2290339-3	2297816-2 (GREY)
4	1.2-1.4	0.35	FLR	AG	2208363-3	2297816-1 (WHITE)
3	1.4-1.6	0.5	FLR	AG+	2325198-3	2297817-2 (BLUE)
3	1.4-1.6	0.5	FLR	AG	2208362-3	2297817-1 (GREEN)
2	1.7-1.9	0.75	FLR	AG+	2325199-3	2297818-2 (BROWN)
2	1.7-1.9	0.75	FLR	AG	2208360-3	2297818-1 (ORANGE)
1	1.9-2.1	1.0	FLR	AG+	2325199-3	2297819-2 (BROWN RED)
1	1.9-2.1	1.0	FLR	AG	2208360-3	2297819-1 (YELLOW)
ITEM	PLUG BLINDSTOPFEN	-	-	-	-	967056-1 (BLUE)

2297816-2	1.2 - 1.4	0.35	SQUIRREL GREY RAL 7000	0.85±0.1	0.79±0.08	HPF 1.2	VMQ	180 °C	3.58±0.07	115-18455	4
2297816-1	1.2 - 1.4	0.35	WHITE RAL 9010	0.85±0.1	0.79±0.08	HPF 1.2	VMQ	150 °C	3.58±0.07	115-18455	4
2297817-2	1.4 - 1.6	0.50	SIGNAL BLUE RAL 5005	1.0±0.1	0.94±0.08	HPF 1.2	VMQ	180 °C	3.58±0.07	115-18455	3
2297817-1	1.4 - 1.6	0.50	GREEN RAL 6010	1.0±0.1	0.94±0.08	HPF 1.2	VMQ	150 °C	3.58±0.07	115-18455	3
2297818-2	1.7 - 1.9	0.75	NUT BROWN RAL 8011	1.25±0.1	1.21±0.08	HPF 1.2	VMQ	180 °C	3.58±0.07	115-18455	2
2297818-1	1.7 - 1.9	0.75	ORANGE RAL 2004	1.25±0.1	1.21±0.08	HPF 1.2	VMQ	150 °C	3.58±0.07	115-18455	2
2297819-2	1.9 - 2.1	1	BROWN RED RAL 3011	1.45±0.1	1.70±0.08	HPF 1.2	VMQ	180 °C	3.58±0.07	115-18455	1
2297819-1	1.9 - 2.1	1	YELLOW RAL 1016	1.45±0.1	1.70±0.08	HPF 1.2	VMQ	150 °C	3.58±0.07	115-18455	1
TE PART NO	INSUL-DIA [mm]	DGB [mm²]	COLOR	a	b	SUITABLE CONTACT	MATERIAL	MAX. TEMP.	CAVITY Ø	CAVITY DRAWING-NO.	ITEM

A3

TOLERANCING ISO 8015
 TOLERIERUNG ISO 8015

TOLERANCES UNLESS OTHERWISE SPECIFIED ACC. TO DIN 16901-140@CENTRIC TO NOMINAL DIMENSION. EDITION 1982-11 SHALL APPLY.
 FREI-MASS-TOLERANZEN NACH DIN 16901-140@. ES GILT DIE AUSGABE 1982-11.

THIS DRAWING IS A CONTROLLED DOCUMENT.
 DIMENSIONING AND TOLERANCING PER GPS (ISO STANDARDS)

DWN: R.Dierkes 04FEB2016
 CHK: R.Wienziers 17FEB2016

APVD: -

NAME: SINGLE WIRE SEAL, HPF 1.2, RUBBER., PGD
 Einzelleiterdichtung HPF 1.2; PGZ

PRODUCT SPEC: 108-94615
 APPLICATION SPEC: 114-94415

SIZE: A2
 CAGE CODE: 00779
 DRAWING NO: C-2300403
 ZEICHNUNGS-NR.

SCALE: 5:1
 SHEET: 1 OF 1
 REV: A3

CUSTOMER DRAWING / KUNDENZEICHNUNG