

4

3

2

1

THIS DRAWING IS UNPUBLISHED.

RELEASED FOR PUBLICATION

20

REVISIONS

© COPYRIGHT 20 BY -

ALL RIGHTS RESERVED.

P	LTR	DESCRIPTION	DATE	DWN	APVD
	B	ECR-15-013759	28SEP2015	DW	CW
	B1	ECR-16-011988	27AUG2016	YC	CW
	B2	ECR-16-017834	21DEC2016	YC	CW
	C	ECR-21-106515	19JUL2021	SQ	CW

TYPE 1, T2040162201-000, TE LOGO  
类型 1, T2040162201-000, TE LOGO

16X M3 SCREW, RECOMMENDED  
TIGHTENING TORQUE 0.5Nm  
16X M3螺丝, 推荐锁紧力矩0.5Nm

NOTES:

1. TECHNICAL CHARACTERISTICS:  
INSULATION MATERIAL: PC  
RATED VOLTAGE: 500V  
RATED CURRENT: 16A  
INSULATION RESISTANCE:  $\geq 400M\Omega$   
RATED IMPULSE VOLTAGE: 6KV  
POLLUTION DEGREE: 3  
FLAMMABILITY: UL94V-0  
MATING CYCLES: 500 CYCLES  
WIRE RANGE:  $0.5mm^2 \sim 2.5mm^2$  (AWG20-AWG14)  
CONTACT TYPE: SCREW CLAMP (M3)

4X M3 SCREW, RECOMMENDED TIGHTENING TORQUE 0.5Nm  
4X M3螺丝, 推荐锁紧力矩0.5Nm

M4 SCREW, RECOMMENDED TIGHTENING TORQUE 1.2Nm  
M4螺丝, 推荐锁紧力矩1.2Nm

注释:

1. 技术参数:  
绝缘材料: PC  
额定电压: 500V  
额定电流: 16A  
绝缘电阻:  $\geq 400M\Omega$   
脉冲电压: 6KV  
污染等级: 3  
阻燃等级: UL94V-0  
插拔次数: 500 次  
接线范围:  $0.5mm^2 \sim 2.5mm^2$  (AWG20-AWG14)  
接线类型: 螺丝压接 (M3)

PANEL CUT FOR INSERTS FOR USE  
WITHOUT HOODS/ HOUSINGS  
不使用防护外壳时芯件的安装开孔图

THIS DRAWING IS A CONTROLLED DOCUMENT.

DWN 15APR2015

GINO YAO

CHK 15APR2015

CHRIS WANG

APVD 15APR2015

XIANG XU

PRODUCT SPEC

108-137044

APPLICATION SPEC

114-137044

WEIGHT

-

CUSTOMER DRAWING

TE Connectivity

NAME

HE-016-F

SIZE

A3

CAGE CODE

00779

DRAWING NO

T2040162201000

RESTRICTED TO

-

SCALE

1:1

SHEET

1 OF 2

REV C

DIMENSIONS:

mm

TOLERANCES UNLESS  
OTHERWISE SPECIFIED:

0 PLC	±-
1 PLC	±-
2 PLC	±-
3 PLC	±-
4 PLC	±-
ANGLES	±-

FINISH

-

MATERIAL

-

1470-19 (3/13)

THIS DRAWING IS UNPUBLISHED.

RELEASED FOR PUBLICATION

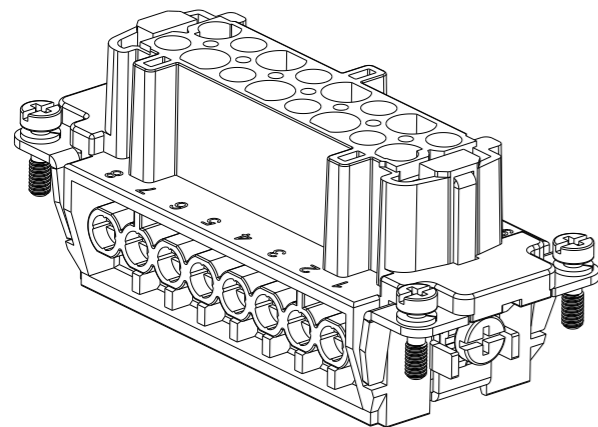
20

© COPYRIGHT 20 BY -

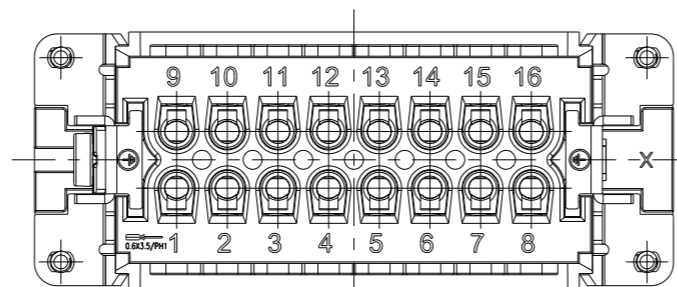
ALL RIGHTS RESERVED.

REVISIONS

P	LTR	DESCRIPTION	DATE	DWN	APVD
-	-	SEE SHEET 1	-	-	-

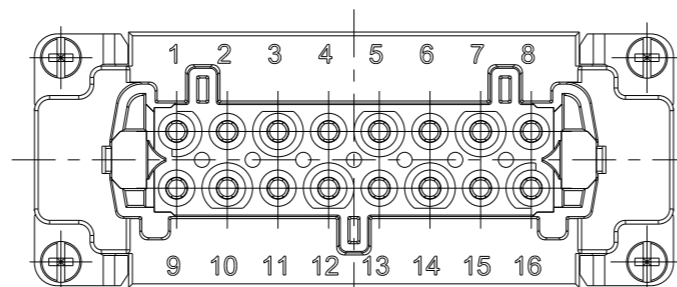
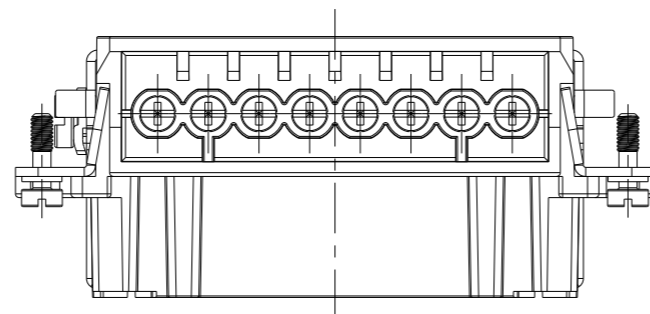
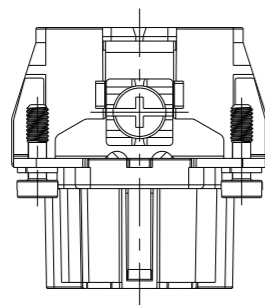


TYPE 2, T2040162201-001, NO LOGO  
 类型 2, T2040162201-001, 无LOGO



NOTE:  
 ALL SPEC REFER TO TYPE 1

注释:  
 所有产品规范参照 TYPE 1



T2040162201-000	HE-016-F	HE-016 FEMALE INSERT HE-016 母插	TYPE 1
T2040162201-001	HE-016-F	HE-016 FEMALE INSERT, NO LOGO HE-016 母插, 无LOGO	TYPE 2
PART NUMBER 料号	PART DESCRIPTION 描述		TYPE 类型

THIS DRAWING IS A CONTROLLED DOCUMENT.

DIMENSIONS:	TOLERANCES UNLESS OTHERWISE SPECIFIED:
mm	0 PLC ±-
	1 PLC ±-
	2 PLC ±-
	3 PLC ±-
	4 PLC ±-
MATERIAL	ANGLES ±-
-	FINISH ±-
-	-

DWN	GINO YAO	15APR2015
CHK	CHRIS WANG	15APR2015
APVD	XIANG XU	15APR2015
PRODUCT SPEC	108-137044	
APPLICATION SPEC	114-137044	
WEIGHT	-	
CUSTOMER DRAWING		

<b>STE</b> TE Connectivity			
NAME HE-016-F			
SIZE	CAGE CODE	DRAWING NO	RESTRICTED TO
A3	00779	©-T2040162201000	-
SCALE 1:1		SHEET 2 OF 2	REV C