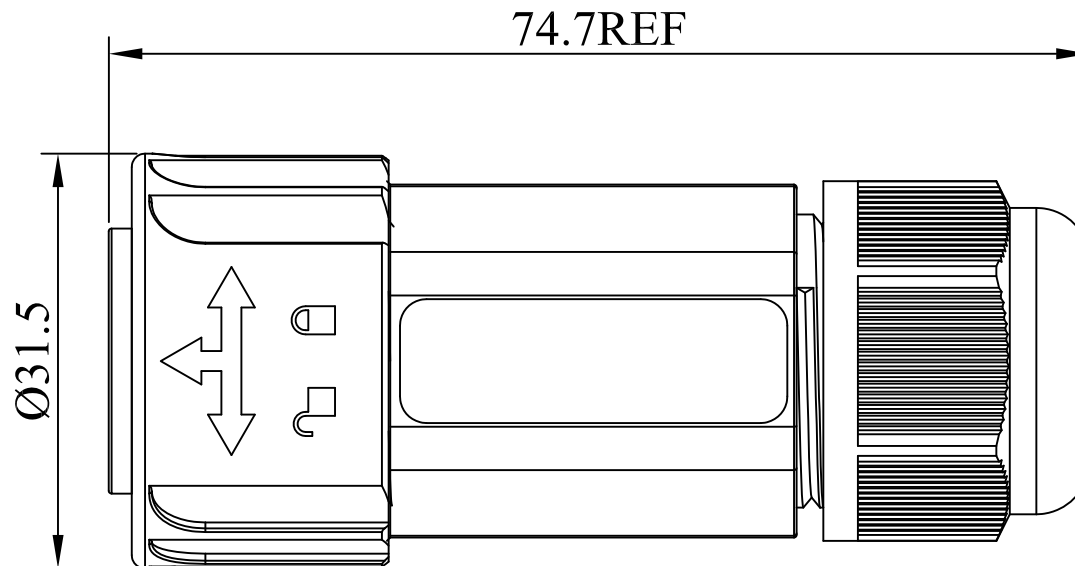
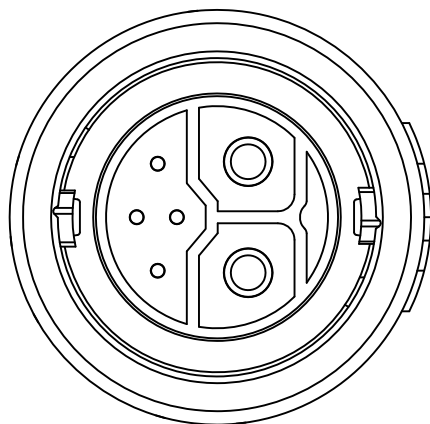


REV	ZONE	ECN NO.	DESCRIPTION	DESIGN	DATE
A1			Design		2019-2-28

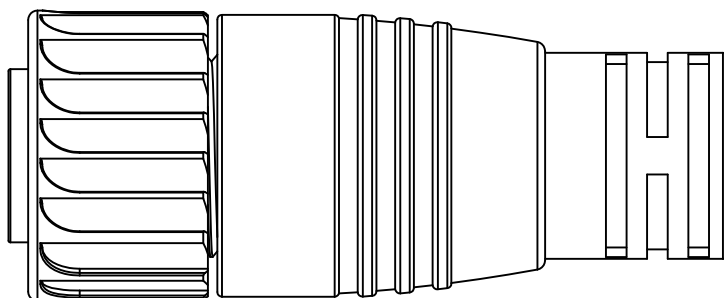
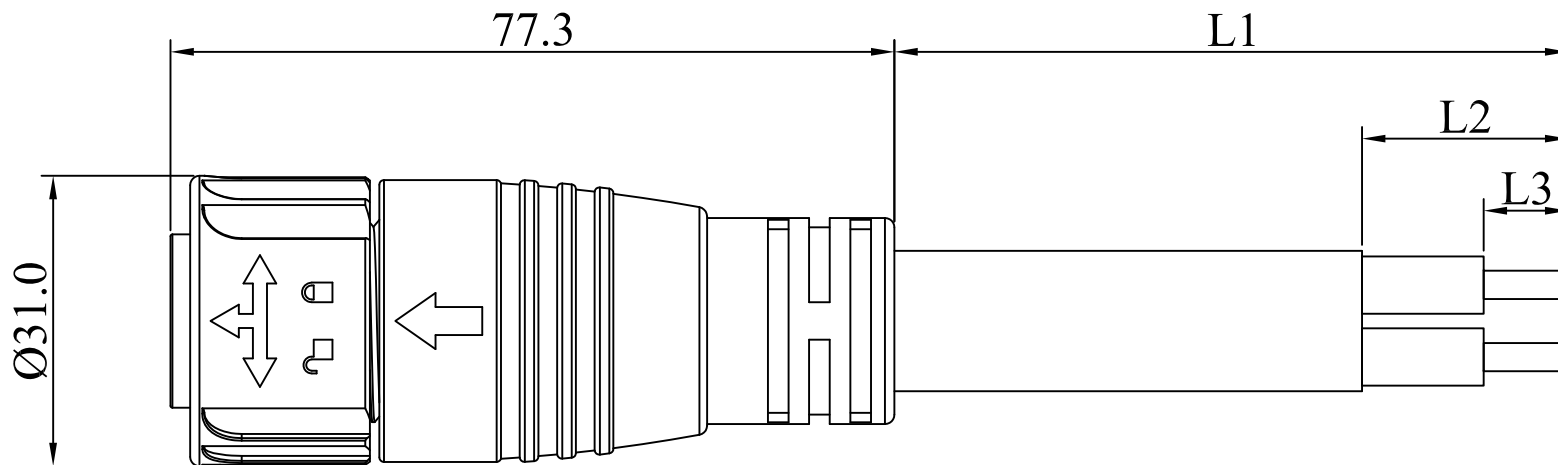
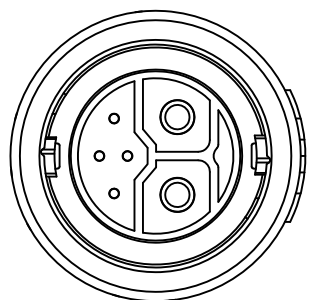


Remark:

1. Terminals: $\phi 3.6\text{mm}$ $\phi 1.0\text{mm}$ copper alloy (gold-plated);
2. Plastic material: Nylon;
3. Cable diameter: $\phi 8\text{mm}$ - $\phi 13.5\text{mm}$;
4. Protection level: IP67;
5. Rated current: 2*50A+4*5A;
6. Wistanding voltage: 500V+60V;
7. Insulation resistance: 500M Ω ;
8. RoHs compliant.

GENERAL TOLERANCE		FILE NO.		DRAWN	xiaojie	SCALE	N/A
X. ± 1.0	X.* $\pm 1^*$	TITLE	M23 2+4PIN male connector	CHECKED	DW. huang	UNITS	mm
.X ± 0.5				APPROVED	MT. chen		
.XX ± 0.2	.X* $\pm 0.5^*$	PART NO	51-104211-01	DATE	2019-2-28		
.XXX ± 0.05		REV.					
SHEET	1/1	Q'TY	/	A1			

REV	ZONE	ECN NO.	DESCRIPTION	DESIGN	DATE
A1			Design	xiaojie	2019-2-28

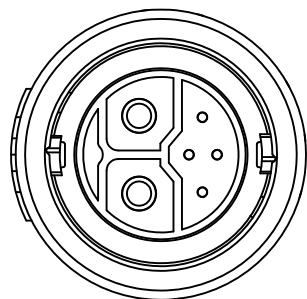
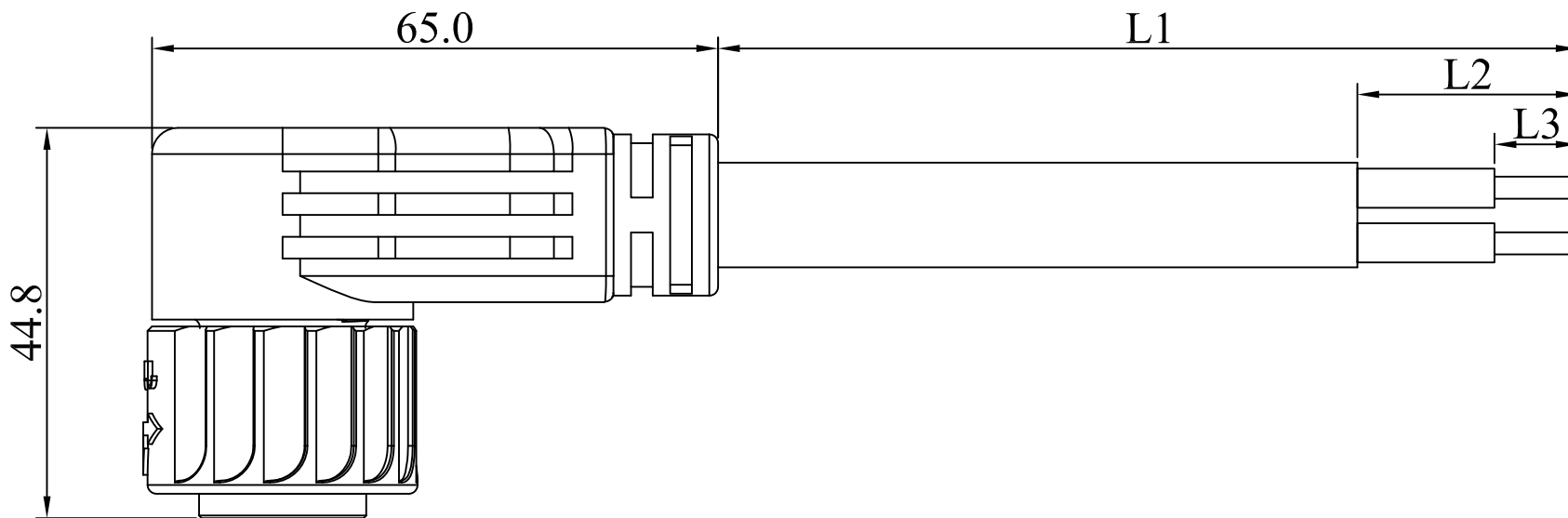


Remark:

1. Terminals: $\phi 3.6\text{mm}$ $\phi 1.0\text{mm}$ copper alloy (gold-plated);
2. Plastic material: Nylon;
3. Cable diameter: $\phi 5\text{mm}$ – $\phi 16.0\text{mm}$;
4. Protection level: IP67;
5. Rated current: 2*50A+4*5A;
6. Wistanding voltage: 500V+60V;
7. Insulation resistance: 500M Ω ;
8. RoHs compliant.

GENERAL TOLERANCE		FILE NO.	DRAWN	xiaojie	SCALE	N/A	
X. ± 2.0	X.* $\pm 1^*$	TITLE	M23 2+4PIN male cable	CHECKED	DW. huang	UNITS	mm
.X ± 1.0				APPROVED	MT. chen		
.XX ± 0.5	.X* $\pm 0.5^*$	PART NO	51-104211-01-0000	DATE	2019-2-28		
.XXX ± 0.05		REV.					
SHEET	1/1	Q'TY	/	A1			

REV	ZONE	ECN NO.	DESCRIPTION	DESIGN	DATE
A1			Design	xiaojie	2019-02-28

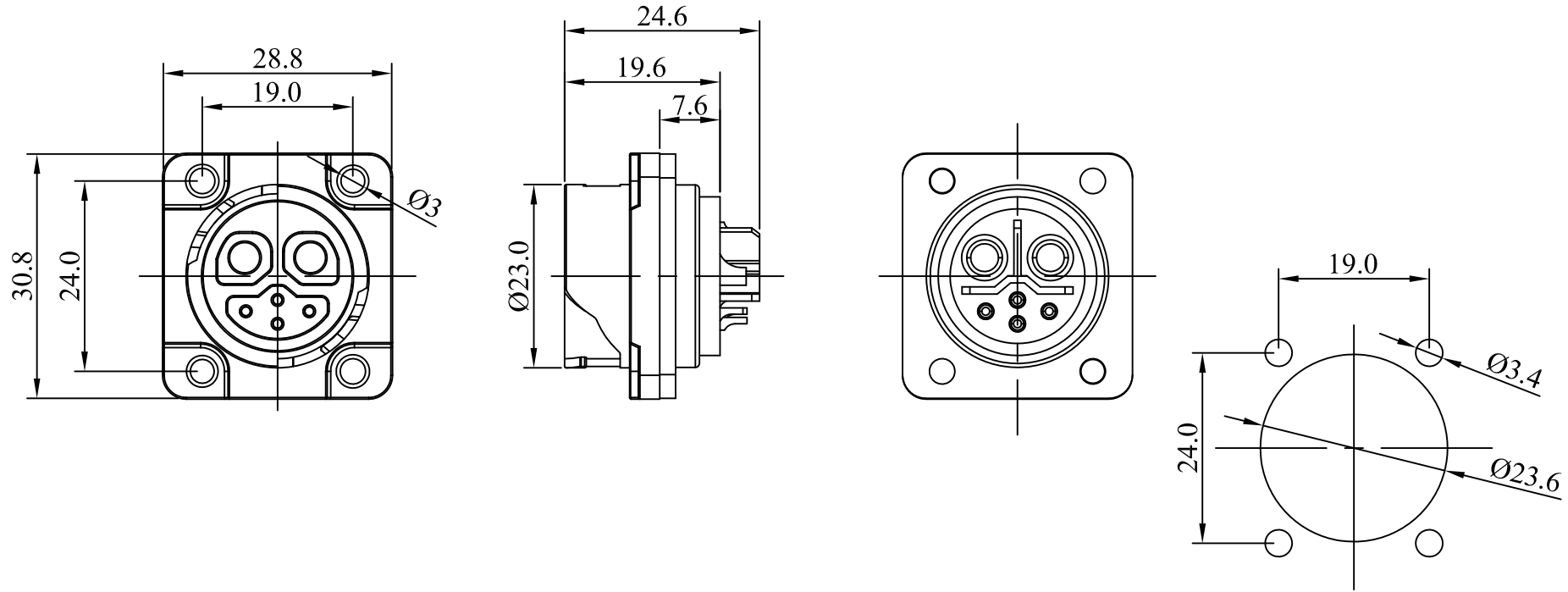


Remark:

1. Terminals: $\phi 3.6\text{mm}$ $\phi 1.0\text{mm}$ copper alloy (gold-plated);
2. Plastic material: Nylon;
3. Cable diameter: $\phi 5.0\text{mm}$ - $\phi 15.0\text{mm}$;
4. Protection level: IP67;
5. Rated current: 2*50A+4*5A;
6. Wistanding voltage: 500V+60V;
7. Insulation resistance: 500M Ω ;
8. RoHs compliant.

GENERAL TOLERANCE		FILE NO.		DRAWN	xiaojie	SCALE	N/A
.X ± 1.0	.X* $\pm 1^{\circ}$	TITLE	M23 2+4PIN 90° male cable	CHECKED	DW. huang	UNITS	mm
.X ± 0.5				APPROVED	MT. chen		
.XX ± 0.2	.X* $\pm 0.5^{\circ}$	PART NO	51-104215-01-0000	DATE	2019-2-28		
.XXX ± 0.05		REV.					
SHEET	1/1	Q'TY	/	A1			

REV	ZONE	ECN NO.	DESCRIPTION	DESIGN	DATE
A			Design	xiaojie	2019-2-28



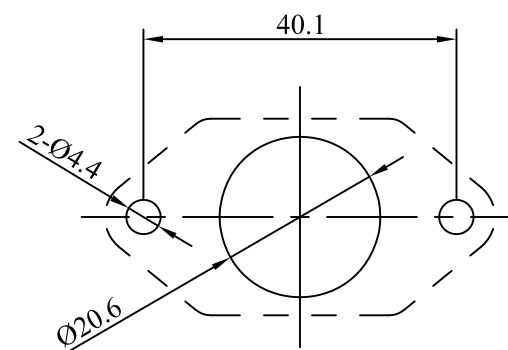
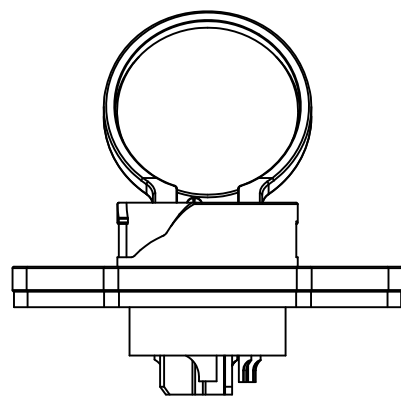
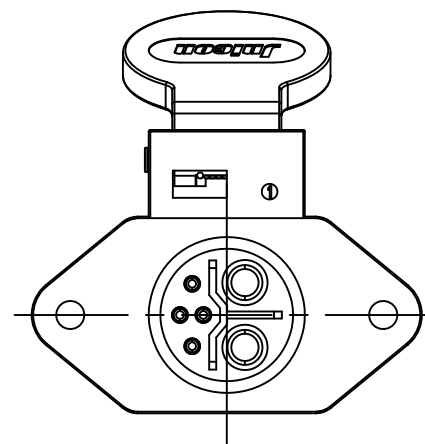
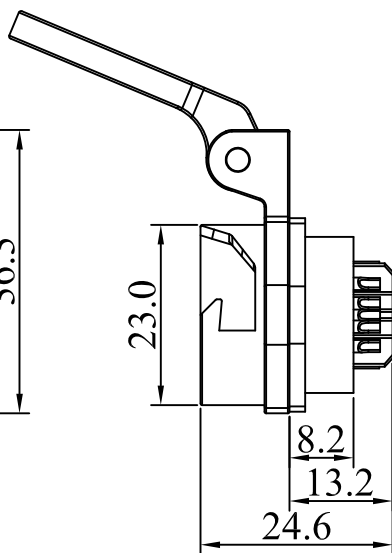
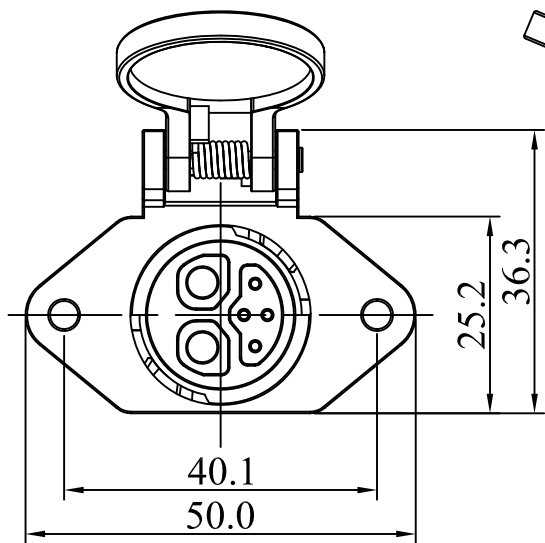
Panel Cut-Out

Remark:

1. Terminals: $\phi 3.6\text{mm}$ $\phi 1.0\text{mm}$ copper alloy (gold-plated);
2. Plastic material: Nylon;
3. Protection level: IP67;
4. Rated current: 2*50A+4*5A;
5. Wstanding voltage: 500V+60V;
6. Insulation resistance: 500M Ω ;
7. RoHs compliant.

GENERAL TOLERANCE		FILE NO.		DRAWN	xiaojie	SCALE	N/A
.X ±2.0	.X* ±1°	TITLE	M23 2+4 pin female square socket	CHECKED	DW. huang	UNITS	mm
.X ±1.0				APPROVED	MT. chen		
.XX ±0.5	.X* ±0.5°	PART NO	51-204252-01	DATE	2019-2-28		
.XXX ±0.05		REV.					
SHEET	1/1	Q'TY	/	A1			

REV	ZONE	ECN NO.	DESCRIPTION	DESIGN	DATE
A			Design	xiaojie	2019-2-28



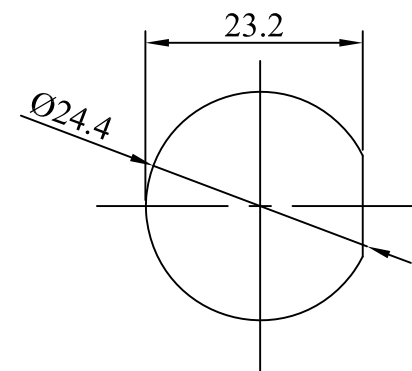
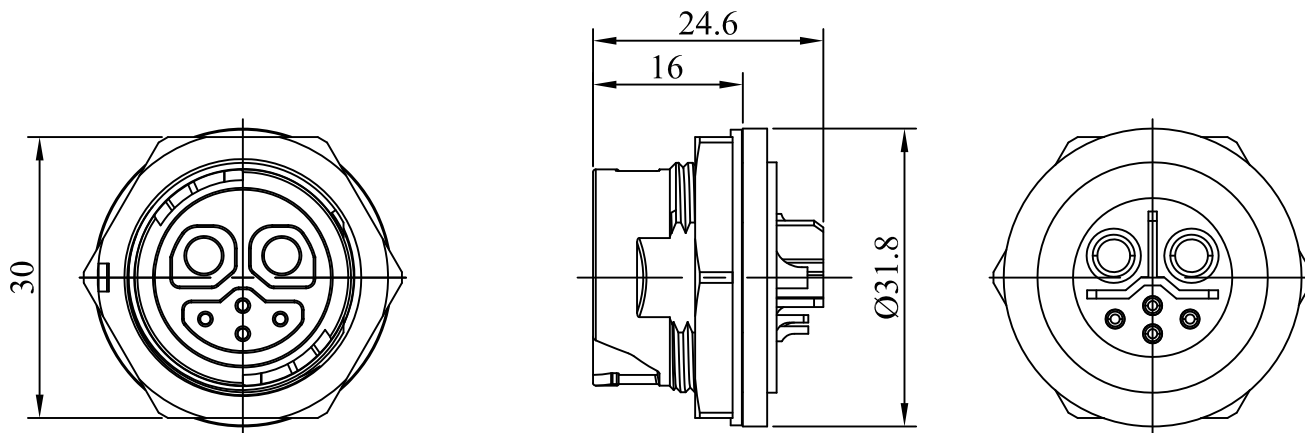
Panel Cut-Out

Remark:

1. Terminals: $\phi 3.6\text{mm}$ $\phi 1.0\text{mm}$ copper alloy (gold-plated);
2. Plastic material: Nylon;
3. Protection level: IP67;
4. Rated current: 2*50A+4*5A;
5. Wistanding voltage: 500V+60V;
6. Insulation resistance: 500M Ω ;
7. RoHs compliant.

GENERAL TOLERANCE		FILE NO.		DRAWN	xiaojie	SCALE	N/A
X. ± 1.0	X. $\pm 1^\circ$	TITLE	M23 2+4 pin female rhombus socket	CHECKED	DW. huang	UNITS	mm
.X ± 0.5				APPROVED	MT. chen		
.XX ± 0.2	.X $\pm 0.5^\circ$	PART NO	51-204253-01	DATE	2019-2-28		
.XXX ± 0.05		REV.					
SHEET	1/1	Q'TY	/	A1			

REV	ZONE	ECN NO.	DESCRIPTION	DESIGN	DATE
A			Design	xiaojie	2019-2-28



开孔尺寸

Remark:

1. Terminals: $\phi 3.6\text{mm}$ $\phi 1.0\text{mm}$ copper alloy (gold-plated);
2. Plastic material: Nylon;
3. Protection level: IP67;
4. Rated current: 2*50A+4*5A;
5. Wstanding voltage: 500V+60V;
6. Insulation resistance: 500M Ω ;
7. RoHs compliant.

GENERAL TOLERANCE		FILE NO.		DRAWN	xiaojie	SCALE	N/A
.X ± 1.0	.X* $\pm 1^*$	TITLE	M23 2+4 pin female round socket	CHECKED	DW. huang	UNITS	mm
.X ± 0.5				APPROVED	MT. chen		
.XX ± 0.2	.X* $\pm 0.5^*$	PART NO	51-204251-01	DATE	2019-2-28		
.XXX ± 0.05		REV.					
SHEET	1/1	Q'TY	/	A			